

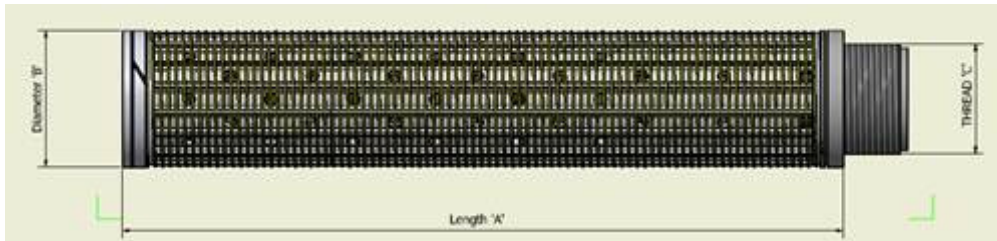
Document:	Industrial Filters Enquiry Form		
Title:	Stellar Wound Filters		
Issue No:	2	Issue Date:	15/02/18
First Issued:	02/12/13	Page:	1 of 2

To enable us to correctly identify your requirements, please complete as much as possible of the requested information below

Data Plate Details

	Example	Complete Below
Filter Part Number	SF25486	
Year of Manufacture	1981	
Serial Number	55026	
Filter Type	SW/50/AV	
Additional Information		
Number of Filter Candles in vessel	34	

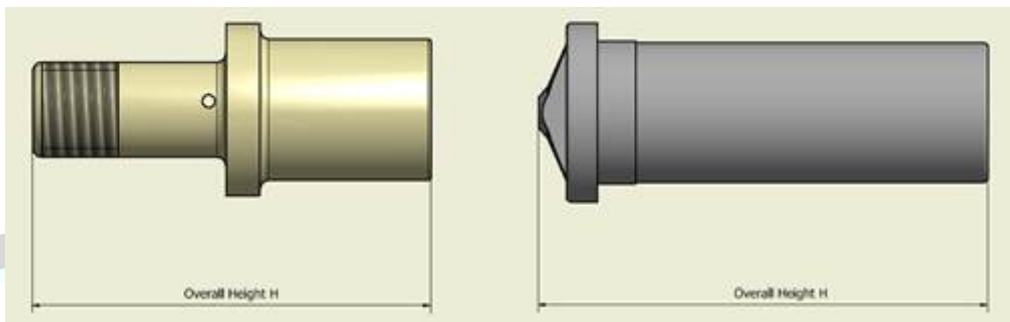
Plastic



Element Dimensions

	Example	Complete Below
Length A	21"	
Diameter B	2"	
Thread C	1 1/4" BSP	

Neckpiece Details



	Type A	Type B
Overall Height H		
Colour		

Additional Information:

	Complete Below
Number of Stella-Meta Filters at site	
Total number of images supplied	
Number of Candle images	
Number of Vessel images	

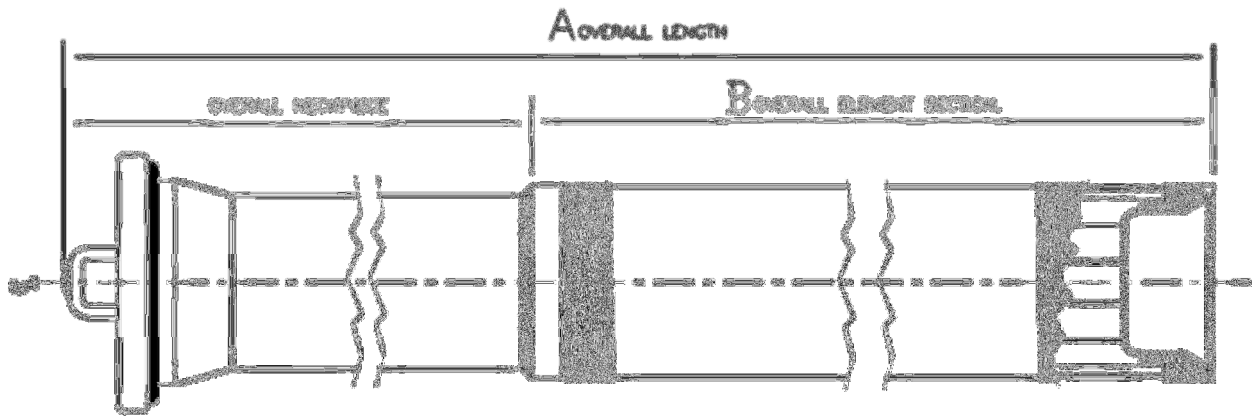
Document:	Industrial Filters Enquiry Form		
Title:	Stellar Wound Filters		
Issue No:	2	Issue Date:	15/02/18
First Issued:	02/12/13	Page:	2 of 2

To enable us to correctly identify your requirements, please complete as much as possible of the requested information below.

Data Plate Details

	Example	Complete Below
Filter Part Number	SF25486	
Year of Manufacture	1981	
Serial Number	55026	
Filter Type	SW/50/AV	
Additional Information		
Number of Filter Candles in vessel	34	

Metal



Candle Dimensions

	Example	Complete Below
Overall Length A	28"	
Element Length B	21"	
Neckpiece Length C	7"	

Neckpiece Details

	Example	Complete Below
Neckpiece Markings	BBD	

Additional Information:

	Complete Below
Number of Stella-Meta Filters at site	
Total number of images supplied	
Number of Candle images	
Number of Vessel images	